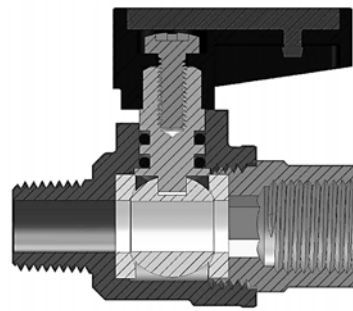


CHANG LI TAI CO., Ltd.

250 PSI MINI BALL VALVES, CHROME PLATED



FEATURES:

- (1) Forged brass construction
- (2) Compact design
- (3) Optional colors of handle plate for identification
- (4) Max. working pressure: 250 PSI

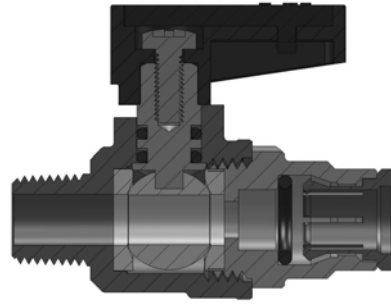
MATERIAL SPECIFICATION

PART NAME	MATERIAL
Body	Chrome Plated Brass
End Adapter	Chrome Plated Brass
Ball	Chrome Plated Brass
Seat	PTFE
Stem	Brass
O-Ring	NBR
Handle	Nylon
Plate	Nylon
Screw	Zinc Plated Steel

P/N	DESC		
	MPT x FPT		
MV14-2-2	1/8 x 1/8		
MV14-4-4	1/4 x 1/4		
MV14-6-6	3/8 x 3/8		
MV14-8-8	1/2 x 1/2		
	FPT x FPT		
MV13-2-2	1/8 x 1/8		
MV13-4-4	1/4 x 1/4		
MV13-6-6	3/8 x 3/8		
MV13-8-8	1/2 x 1/2		

CHANG LI TAI CO., Ltd.

250 PSI MINI BALL VALVES, PUSH-IN DESIGN



FEATURES:

- (1) Forged brass construction
- (2) Push-In design
- (3) Optional colors of handle plate for identification
- (4) Max. working pressure: 250 PSI

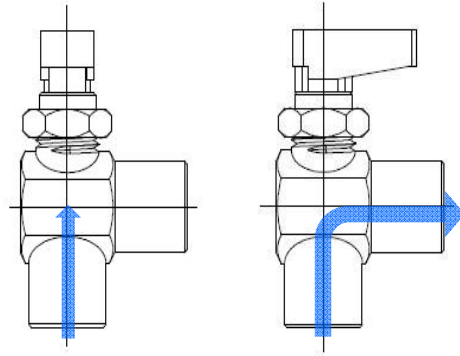
MATERIAL SPECIFICATION

PART NAME	MATERIAL
Body	Chrome Plated Brass
End Adapter	Chrome Plated Brass
Ball	Chrome Plated Brass
Seat	PTFE
Stem	Brass
O-Ring	NBR
Handle	Nylon
Plate	Nylon
Screw	Zinc Plated Steel

P/N	DESC		
	MPT x TUBE O.D.		
MV19-2-2	1/8 x 1/8		
MV19-4-4	1/4 x 1/4		
MV19-6-6	3/8 x 3/8		
MV19-8-8	1/2 x 1/2		
	TUBE O.D. x TUBE. O.D.		
MV20-2-2	1/8 x 1/8		
MV20-4-4	1/4 x 1/4		
MV20-6-6	3/8 x 3/8		
MV20-8-8	1/2 x 1/2		

CHANG LI TAI CO., Ltd.

250 PSI MINI BALL VALVES, PANEL MOUNT DESIGN



FEATURES:

- (1) Brass bar stock construction
- (2) Panel Mount design
- (3) Optional colors of handle plate for identification
- (4) Max. working pressure: 250 PSI

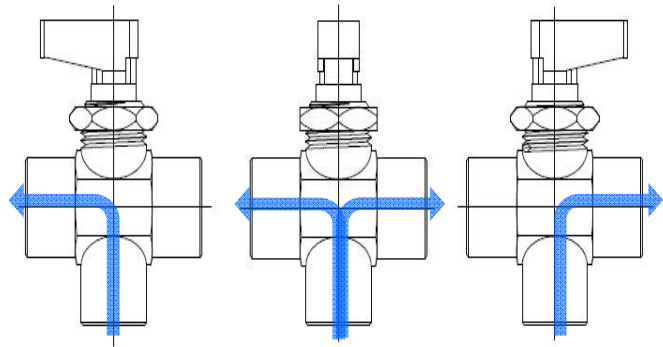
MATERIAL SPECIFICATION

PART NAME	MATERIAL
Body	Chrome Plated Brass
End Adapter	Chrome Plated Brass
End Plug	Chrome Plated Brass
Ball	Chrome Plated Brass
Seat	PTFE
Stem	Brass
O-Ring	NBR
Handle	Nylon
Plate	Nylon
Screw	Zinc Plated Steel
Panel Mount Lock Nut	Chrome Plated Brass

P/N	DESC		
	FPT x FPT		
MV21-2-2	1/8 x 1/8		
MV21-4-4	1/4 x 1/4		
MV21-6-6	3/8 x 3/8		
MV21-8-8	1/2 x 1/2		

CHANG LI TAI CO., Ltd.

250 PSI MINI BALL VALVES, OPEN CENTER



FEATURES:

- (1) Brass bar stock construction
- (2) Panel Mount design
- (3) Open Center
- (4) Optional colors of handle plate for identification
- (5) Max. working pressure: 250 PSI

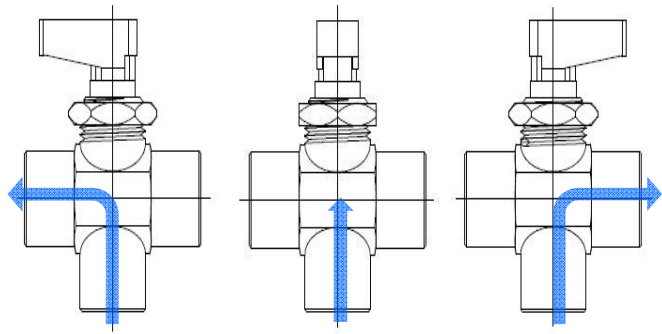
MATERIAL SPECIFICATION

PART NAME	MATERIAL
Body	Chrome Plated Brass
End Adapter	Chrome Plated Brass
Ball	Chrome Plated Brass
Seat	PTFE
Stem	Brass
O-Ring	NBR
Handle	Nylon
Plate	Nylon
Screw	Zinc Plated Steel
Panel Mount Lock Nut	Chrome Plated Brass

P/N	DESC		
	FPT x 3 Ends		
MV22-2	1/8		
MV22-4	1/4		
MV22-6	3/8		
MV22-8	1/2		

CHANG LI TAI CO., Ltd.

250 PSI MINI BALL VALVES, CLOSE CENTER



FEATURES:

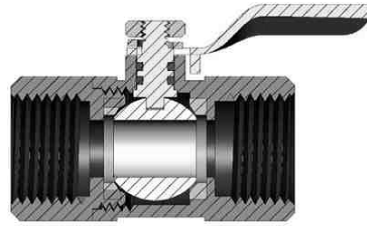
- (1) Brass bar stock construction
- (2) Panel Mount design
- (3) Close Center
- (4) Optional colors of handle plate for identification
- (5) Max. working pressure: 250 PSI

MATERIAL SPECIFICATION

PART NAME	MATERIAL
Body	Chrome Plated Brass
End Adapter	Chrome Plated Brass
Ball	Chrome Plated Brass
Seat	PTFE
Stem	Brass
O-Ring	NBR
Handle	Nylon
Plate	Nylon
Screw	Zinc Plated Steel
Panel Mount Lock Nut	Chrome Plated Brass

P/N	DESC		
	FPT x 3 Ends		
MV23-2-2	1/8		
MV23-4-4	1/4		
MV23-6-6	3/8		
MV23-8-8	1/2		

200 WOG MINI BALL VALVES



FEATURES:

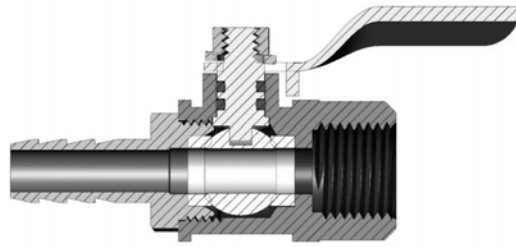
- (1) Forged brass construction
- (2) Chrome-plated brass ball
- (3) Blow-out-proof stem
- (4) Max. working pressure: 200 WOG

MATERIAL SPECIFICATION

PART NAME	MATERIAL
Body	Brass
End Adapter	Brass
Ball	Chrome Plated Brass
Seat	PTFE
Stem	Brass
O-Ring	NBR
Handle	Zinc Plated Steel
Handel Nut	Zinc Plated Steel
Washer	Zinc Plated Steel

P/N	DESC		
	FPT x FPT		
MV7-2-2	1/8 x 1/8		
MV7-4-4	1/4 x 1/4		
MV7-4-6	1/4 x 3/8		
MV7-4-8	1/4 x 1/2		
MV7-6-6	3/8 x 3/8		
MV7-8-8	1/2 x 1/2		
	MPT x FPT		
MV8-2-2	1/8 x 1/8		
MV8-2-4	1/8 x 1/4		
MV8-4-4	1/4 x 1/4		
MV8-4-6	1/4 x 3/8		
MV8-6-4	3/8 x 1/4		
MV8-6-6	3/8 x 3/8		
MV8-8-8	1/2 x 1/2		
	MPT x MPT		
MV9-2-2	1/8 x 1/8		
MV9-2-4	1/8 x 1/4		
MV9-4-4	1/4 x 1/4		
MV9-4-6	1/4 x 3/8		
MV9-4-8	1/4 x 1/2		
MV9-6-6	3/8 x 3/8		
MV9-8-8	1/2 x 1/2		

200 WOG MINI BALL VALVES



FEATURES:

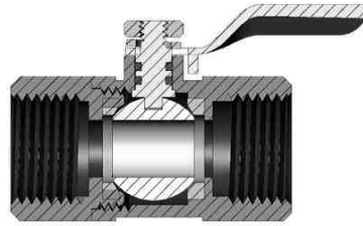
- (1) Forged brass construction
- (2) Chrome-plated brass ball
- (3) Blow-out-proof stem
- (4) Max. working pressure: 200 WOG

MATERIAL SPECIFICATION

PART NAME	MATERIAL
Body	Brass
End Adapter	Brass
Ball	Chrome Plated Brass
Seat	PTFE
Stem	Brass
O-Ring	NBR
Handle	Zinc Plated Steel
Handel Nut	Zinc Plated Steel
Washer	Zinc Plated Steel

P/N	DESC		
	MPT x HOSE BARB		
MV10-2-5	1/8 x 5/16		
MV10-2-6	1/8 x 3/8		
MV10-4-4	1/4 x 1/4		
MV10-4-5	1/4 x 5/16		
MV10-4-6	1/4 x 3/8		
MV10-6-5	3/8 x 5/16		
MV10-6-6	3/8 x 3/8		
	HOSE BARB x HOSE BARB		
MV11-2-2	1/8 x 1/8		
MV11-4-2	1/4 x 1/8		
MV11-4-4	1/4 x 1/4		
MV11-5-5	5/16 x 5/16		
MV11-6-6	3/8 x 3/8		
	HOSE BARB x FPT		
MV12-2-2	1/8 x 1/8		
MV12-4-4	1/4 x 1/4		
MV12-5-4	5/16 x 1/4		

600 WOG MINI BALL VALVES



FEATURES:

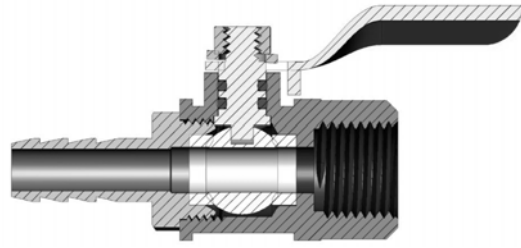
- (1) Forged brass construction
- (2) Chrome-plated brass ball
- (3) Blow-out-proof stem
- (4) Max. working pressure: 600 WOG

MATERIAL SPECIFICATION

PART NAME	MATERIAL
Body	Brass
End Adapter	Brass
Ball	Chrome Plated Brass
Seat	PTFE
Stem	Brass
O-Ring	NBR
Handle	Zinc Plated Steel
Handel Nut	Zinc Plated Steel
Washer	Zinc Plated Steel

P/N	DESC		
	FPT x FPT		
MV7-2-2	1/8 x 1/8		
MV7-4-4	1/4 x 1/4		
MV7-4-6	1/4 x 3/8		
MV7-4-8	1/4 x 1/2		
MV7-6-6	3/8 x 3/8		
MV7-8-8	1/2 x 1/2		
	MPT x FPT		
MV8-2-2	1/8 x 1/8		
MV8-2-4	1/8 x 1/4		
MV8-4-4	1/4 x 1/4		
MV8-4-6	1/4 x 3/8		
MV8-6-4	3/8 x 1/4		
MV8-6-6	3/8 x 3/8		
MV8-8-8	1/2 x 1/2		
	MPT x MPT		
MV9-2-2	1/8 x 1/8		
MV9-2-4	1/8 x 1/4		
MV9-4-4	1/4 x 1/4		
MV9-4-6	1/4 x 3/8		
MV9-4-8	1/4 x 1/2		
MV9-6-6	3/8 x 3/8		
MV9-8-8	1/2 x 1/2		

600 WOG MINI BALL VALVES



FEATURES:

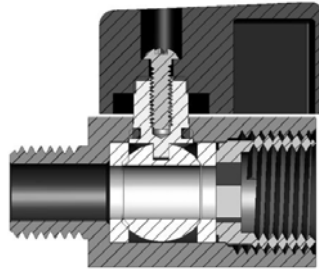
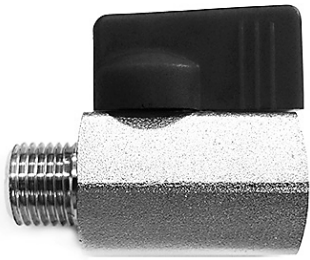
- (1) Forged brass construction
- (2) Chrome-plated brass ball
- (3) Blow-out-proof stem
- (4) Max. working pressure: 600 WOG

MATERIAL SPECIFICATION

PART NAME	MATERIAL
Body	Brass
End Adapter	Brass
Ball	Chrome Plated Brass
Seat	PTFE
Stem	Brass
O-Ring	NBR
Handle	Zinc Plated Steel
Handel Nut	Zinc Plated Steel
Washer	Zinc Plated Steel

P/N	DESC		
	MPT x HOSE BARB		
MV10-2-5	1/8 x 5/16		
MV10-2-6	1/8 x 3/8		
MV10-4-4	1/4 x 1/4		
MV10-4-5	1/4 x 5/16		
MV10-4-6	1/4 x 3/8		
MV10-6-5	3/8 x 5/16		
MV10-6-6	3/8 x 3/8		
	HOSE BARB x HOSE BARB		
MV11-2-2	1/8 x 1/8		
MV11-4-2	1/4 x 1/8		
MV11-4-4	1/4 x 1/4		
MV11-5-5	5/16 x 5/16		
MV11-6-6	3/8 x 3/8		
	HOSE BARB x FPT		
MV12-2-2	1/8 x 1/8		
MV12-4-4	1/4 x 1/4		
MV12-5-4	5/16 x 1/4		

200 PSI MINI BALL VALVES, COMPACT HANDLE



FEATURES:

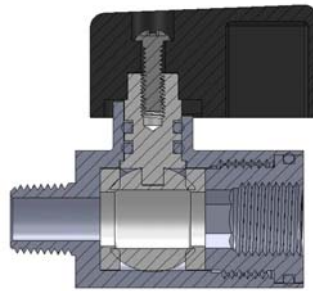
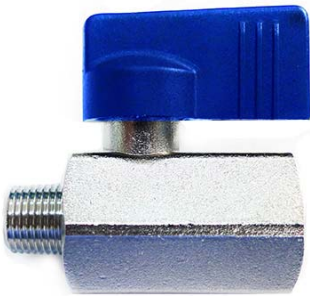
- (1) Brass bar stock construction
- (2) Compact design
- (3) Blow-out-proof stem
- (4) Max. working pressure: 200 PSI

MATERIAL SPECIFICATION

PART NAME	MATERIAL
Body	Nickel Plated Brass
End Adapter	Brass
Ball	Chrome Plated Brass
Seat	PTFE
Stem	Brass
O-Ring	NBR
Handle	Nylon
Handel Screw	Stainless Steel

P/N	DESC		
	MPT x FPT		
LMV5-2-2	1/8 x 1/8		
LMV5-4-4	1/4 x 1/4		
LMV5-6-6	3/8 x 3/8		
LMV5-8-8	1/2 x 1/2		
LMV5-12-12	3/4 x 3/4		
	FPT x FPT		
LMV6-2-2	1/8 x 1/8		
LMV6-4-4	1/4 x 1/4		
LMV6-6-6	3/8 x 3/8		
LMV6-8-8	1/2 x 1/2		
LMV6-12-12	3/4 x 3/4		

450 PSI MINI BALL VALVES, COMPACT HANDLE



FEATURES:

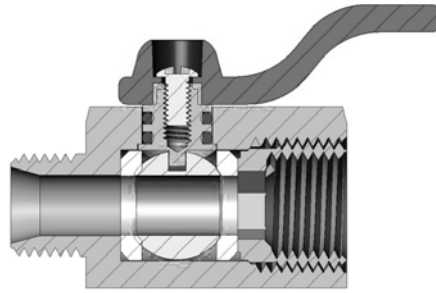
- (1) Forged brass construction
- (2) Compact design
- (3) Blow-out-proof stem
- (4) Max. working pressure: 450 PSI

MATERIAL SPECIFICATION

PART NAME	MATERIAL
Body	Nickel Plated Brass
End Adapter	Brass
Ball	Chrome Plated Brass
Seat	PTFE
Stem	Brass
O-Ring	NBR
Handle	Nylon
Handel Screw	Stainless Steel

P/N	DESC		
	MPT x FPT		
MV5-2-2	1/8 x 1/8		
MV5-4-4	1/4 x 1/4		
MV5-6-6	3/8 x 3/8		
MV5-8-8	1/2 x 1/2		
MV5-12-12	3/4 x 3/4		
	FPT x FPT		
MV6-2-2	1/8 x 1/8		
MV6-4-4	1/4 x 1/4		
MV6-6-6	3/8 x 3/8		
MV6-8-8	1/2 x 1/2		
MV6-12-12	3/4 x 3/4		

450 PSI MINI BALL VALVES, LEVER HANDLE



FEATURES:

- (1) Brass bar stock construction
- (2) Compact design
- (3) Blow-out-proof stem
- (4) Max. working pressure: 450 PSI

MATERIAL SPECIFICATION

PART NAME	MATERIAL
Body	Nickel Plated Brass
End Adapter	Brass
Ball	Chrome Plated Brass
Seat	PTFE
Stem	Brass
O-Ring	NBR
Handle	Zinc
Handel Screw	Stainless Steel

P/N	DESC		
	MPT x FPT		
MV5H1-2-2	1/8 x 1/8		
MV5H1-4-4	1/4 x 1/4		
MV5H1-6-6	3/8 x 3/8		
MV5H1-8-8	1/2 x 1/2		
MV5H1-12-12	3/4 x 3/4		
	FPT x FPT		
MV6H1-2-2	1/8 x 1/8		
MV6H1-4-4	1/4 x 1/4		
MV6H1-6-6	3/8 x 3/8		
MV6H1-8-8	1/2 x 1/2		
MV6H1-12-12	3/4 x 3/4		